

KLOUBEC KOI FARM

BIOPOD™ Plus

SAVE MONEY! GROW YOUR OWN PET FOOD!-

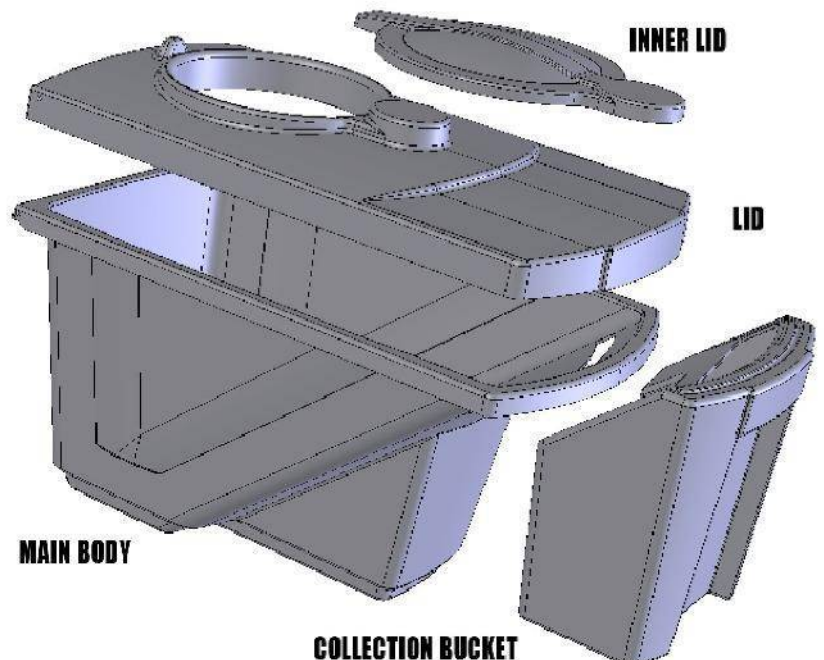
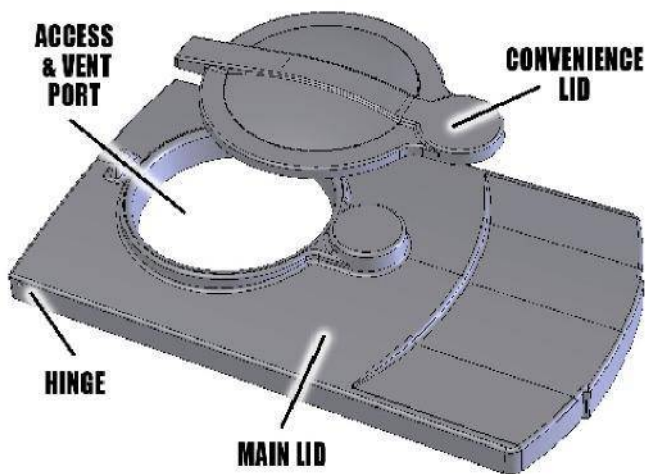
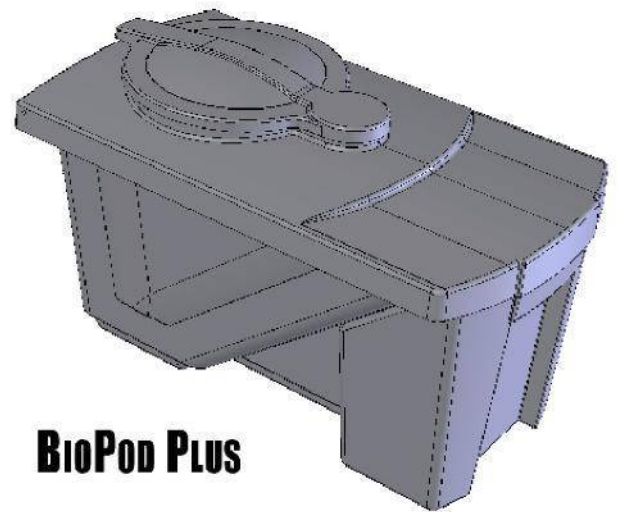
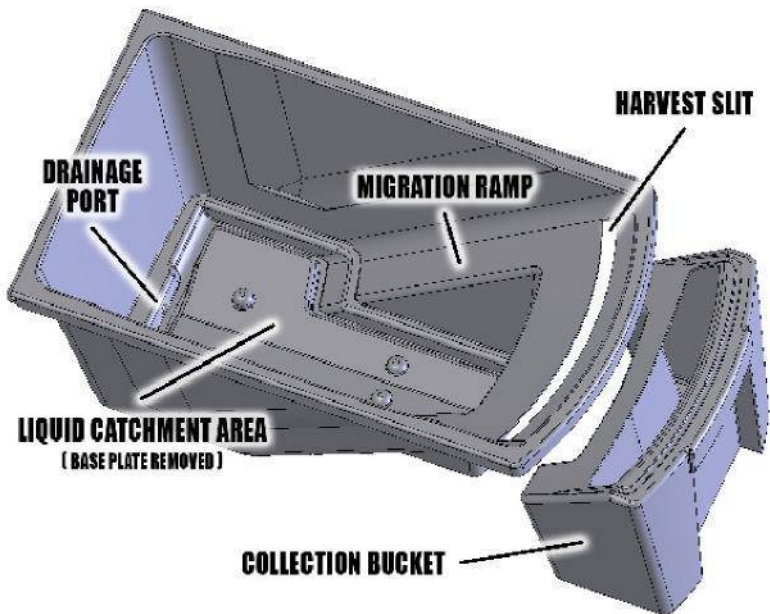
·KOI & GOLDFISH PONDS

·AQUAPONICS

·REPTILES

·BIRDS

THE GRUB COMPOSTER: GROW YOUR OWN LIVING FOOD ON NOTHING MORE THAN KITCHEN SCRAPS!



SPECS AT A GLANCE

- 27" long x 15.5" wide x 16.5" tall
- 9.5 gallon capacity (36 liters)
- 294 in² (1895 cm²) surface area
- Empty unit weighs 10.3 lbs (22.7 kg)
- 8 years of product development & testing
- Made responsibly with pride in Texas
- Heavy duty, roto-molded construction
- UV stabilized polypropylene plastic
- 1 year warranty on parts and repair
- No-tool, 5 minute assembly

BIOPOD™

The Future of Food Waste Diversion & Recycling



THE GRUB COMPOSTER: GROW YOUR OWN LIVING FOOD ON NOTHING MORE THAN YOUR KITCHEN SCRAPS

Applications include: • Koi & Goldfish Ponds • Reptiles • Aquaponics • Birds

Newest Breakthrough Technology

The new **BioPod™ Plus** is the latest technology to hit the home sustainability market. Over 8 years of R&D, combined with thorough testing on 3 different continents, has produced the next generation of bioconversion units, capable of transforming your ordinary kitchen scraps into free, living feed.

Uber-Fast Composting: 24-26 hours

While many food recycling bins can take 6-12 months to break down their contents into usable humus, the **BioPod™ Plus** eliminates most of your food scraps in as little as 24-36 hours using a naturally occurring, beneficial organism traditionally found in many compost and worm bins. The **BioPod™ Plus** optimizes the instinctual abilities of this species, rapidly creating an end product more valuable than ordinary compost – free live feed.

The Future of Recycling: Prota™ Composting

This enhanced form of composting is referred to as Prota™ Composting, the method by which valuable molecules, specifically proteins and lipids, are recycled back into living feed in the form of usable biomass. The signature decomposer is *Hermetia illucens*, a harmless, native arthropod that does not sting, bite or transmit disease. The juvenile form of these robust recyclers is referred to as Soldier Grubs and the device in which they reside is called a Grub Composter.

Valuable Grub Production: 5:1 Production Rate

A working **BioPod™ Plus** can easily handle the daily food scraps produced by a large family – up to 5 lbs per day. It even digests pet waste. For every 100 lbs of kitchen scraps you will get 5 lbs of friable castings, a few quarts of nutritious compost tea, and approx. **15-20 lbs of self-harvesting Soldier Grubs** - which are the ultimate live food for fish, exotic pets, and backyard poultry. Dried grubs contain 42% protein and 35% fat.

Compliments Existing Compost & Worm Bins

The remaining compost, though relatively small in quantity, will serve as the perfect worm bin food, and allow you to make vermicompost and grow live redworms faster than normal.

KLOUBEC KOI FARM  錦鯉 
1375 BAXTER AVENUE NW
AMANA, IOWA 52203

P 319.846.2077

F 319.846.8099

More information available at:

WWW.KLOUBECKOI.COM

FEATURES

- Pair of angled migration ramps lead to harvest slit and allow for **self-separation of grubs** from active pile
- Removable harvest bucket with handle collects mature grubs
- Circular protective cap provides female entry for egg laying
- Aerobic conditions are accomplished via convection currents through drop slit in main body and gaps in both lids
- Perforated base plate allows liquid compost tea to drain into separate bottom catchment area for future collection
- Tea is emptied using drainage fittings attached to rear port
- Natural appearance blends in with existing landscaping
- Rounded edges throughout unit for improved safety
- Weather-resistant design protects contents from elements
- Durable, roto-molded construction ensures long life span

BENEFITS

- Divert and digest all of your food scraps from the garbage bin, insinkerator, take-out leftovers, or compost pile
- Re-capture the valuable lipids, simple sugars and proteins found in your kitchen waste back into usable food for backyard poultry, koi ponds, aquaponics or wildlife
- Beneficial soldier grubs are self-separating, auto-harvesting, robust, hardy, indigenous, easy-to-store, dry-to-the-touch in pupal stage, and a highly nutritious animal feed
- The remaining, undigested material (mostly cellulose) serves as the ultimate worm bin food – add it to your worm bin and produce worm castings and live redworms continuously
- Family-Friendly: provide your family with an education in sustainability, science, recycling and organic gardening
- Designed to be naturally seeded by female *Hermetia* adults present locally (or by the addition of starter grubs)
- Use the rich, friable compost (grub castings) in the greenhouse, potted plants or garden
- For harvesting smaller grubs, an electric heating pad may be utilized to encourage premature crawl off of juveniles
- Use the liquid tea as a nutritious plant fertilizer or as a means of attracting adult females to a second pod. For seasonal pod operators, saved tea can be used to attract females to start up next year's pod.

Save money by growing your own pet treats!
We are the exclusive national distributor.